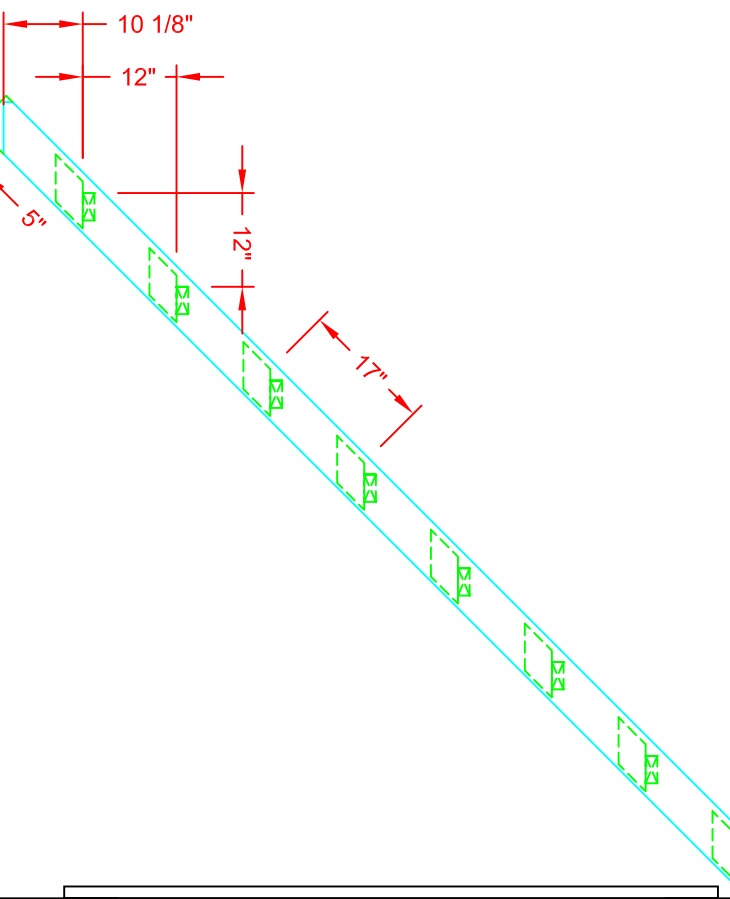
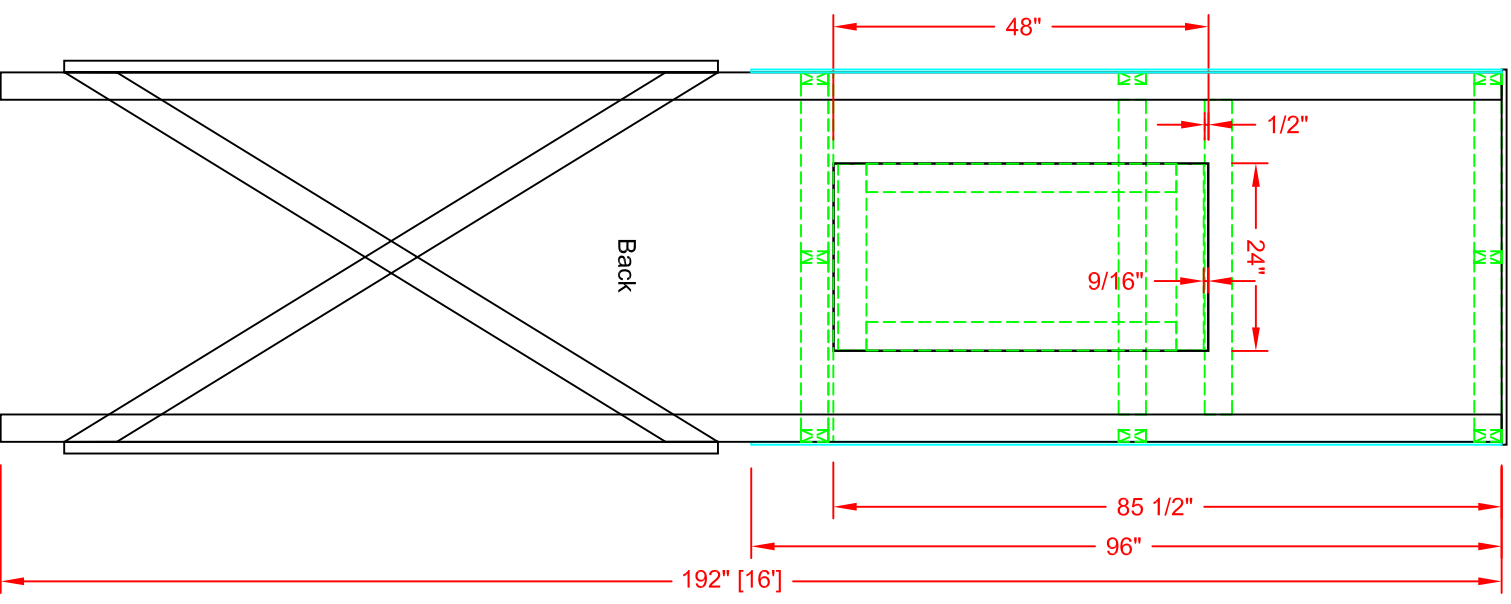
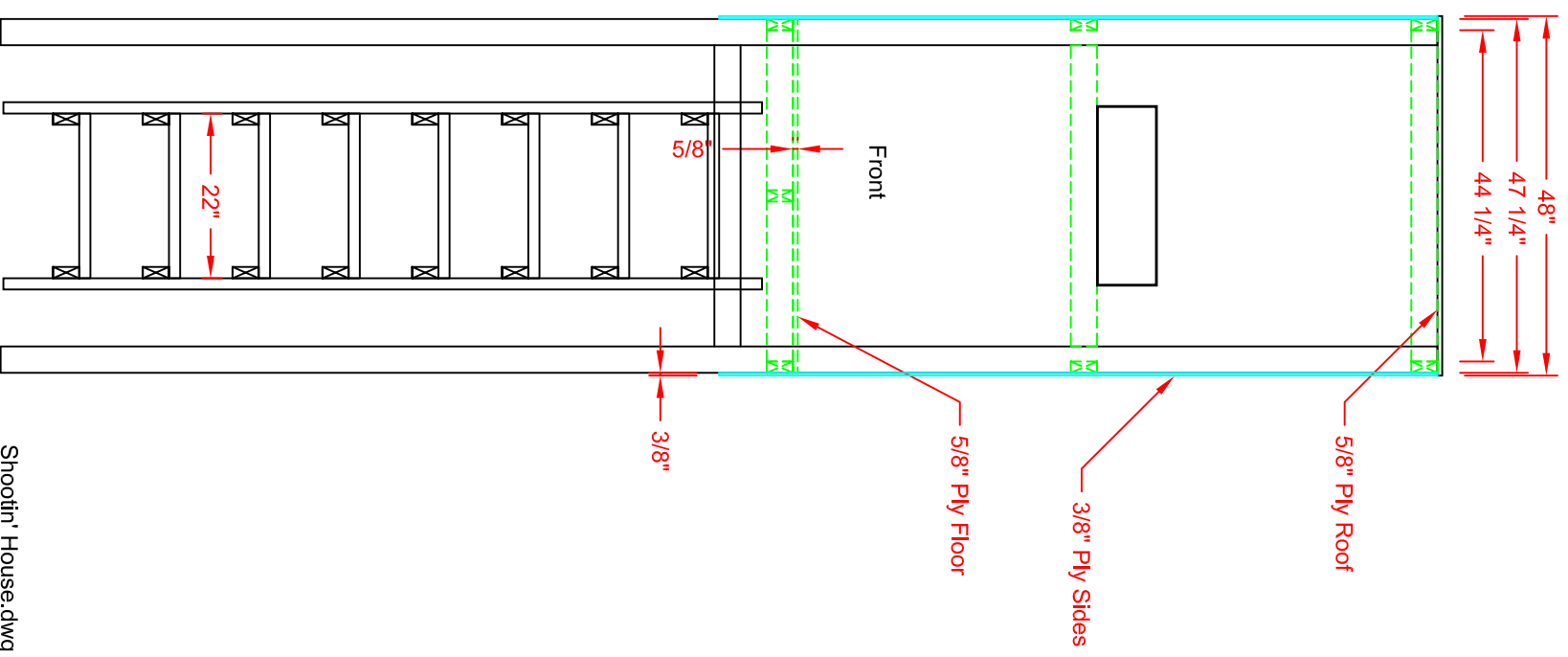
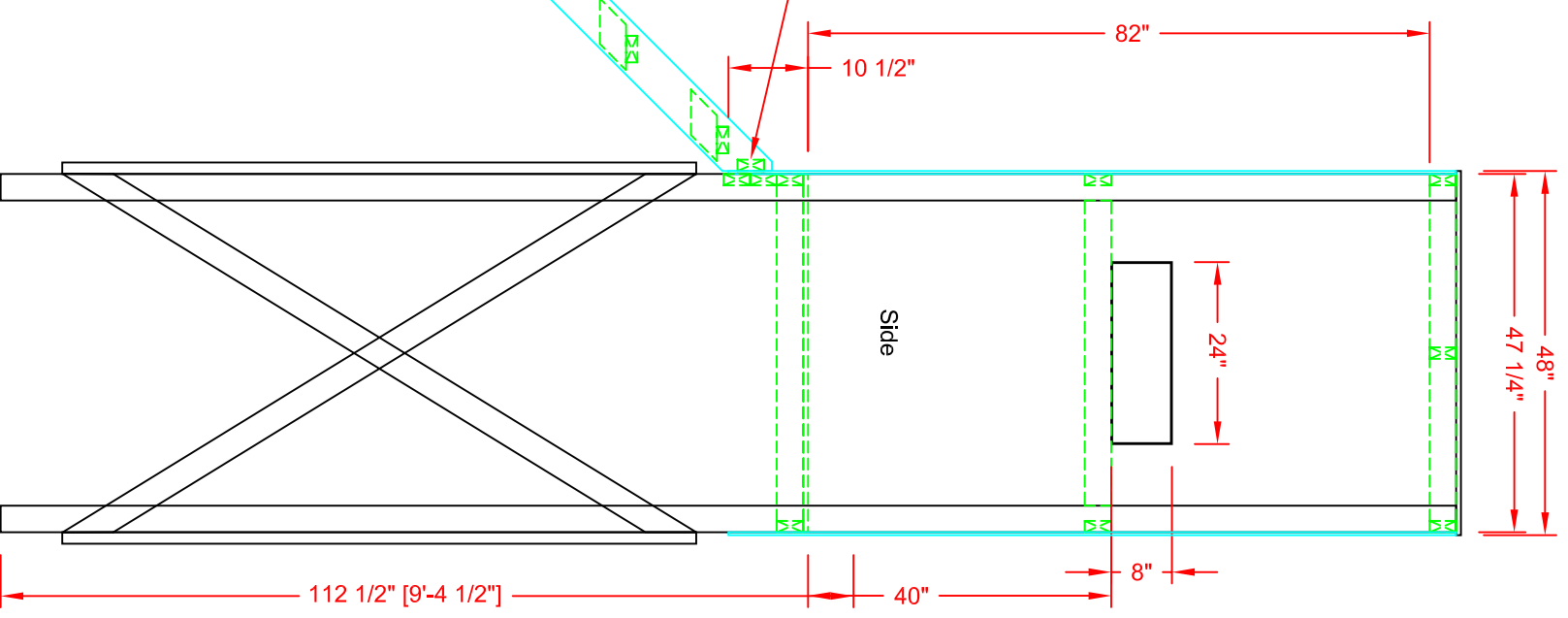


- 2x4x8' - 7 Total - walls
- 2x4x8' - 4 Total - x brace
- 2x4x8' - 2 Total - Door frame
- 2x4x8' - 4 Total - Steps
- 2x6x12' - 2 Total - Step Runner
- 4x4x16' - 4 Total - Corner Post
- 5/8 Exterior Ply - 1 Total
- 3/8 Exterior Ply - 4 Total
- 1 Gal. Paint.
- 2 Door Hinges
- 8 Window Hinges
- 3 Window Latches
- 3lbs 16D Nails
- Roofing Material (your choice)



Attach steps to frame with screws



101 53/64" [8'-5 53/64"]

47 1/4"

47 1/4"